

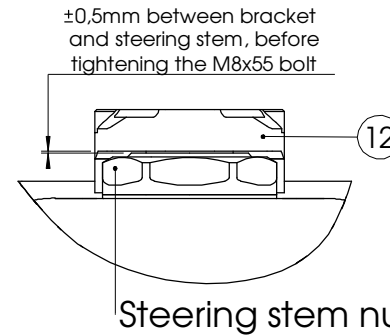
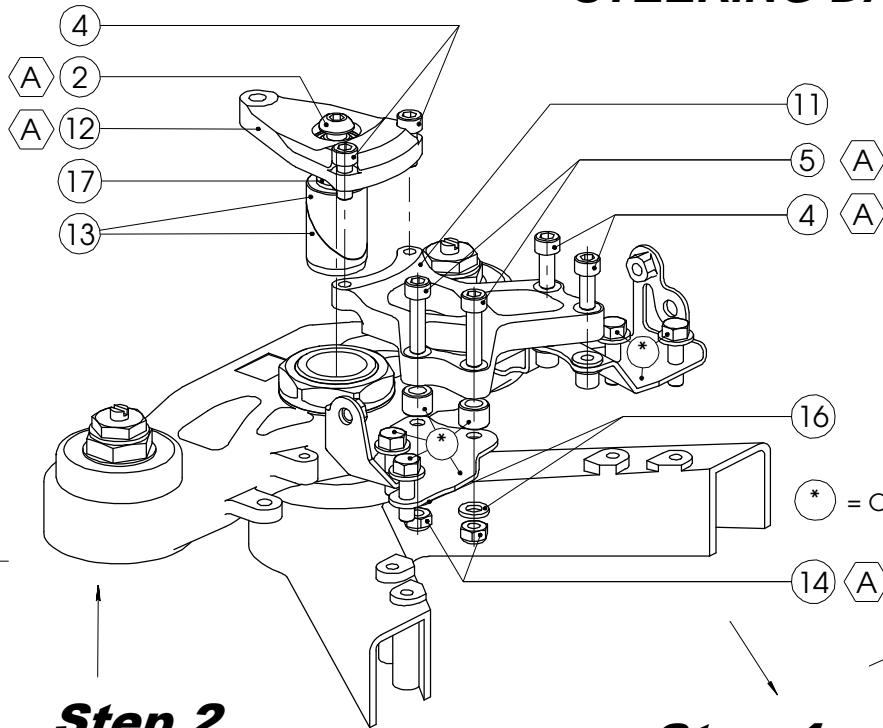
HYPERPRO

STEERING DAMPER MOUNTING KIT

MK-HO10-T006 / Honda CBR1000RR 2008

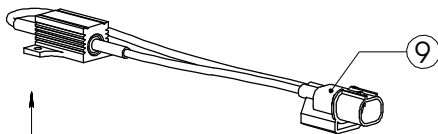
POS	ITEM	SIZE	QTY
1	Bolt_DIN7380	M8x25 B	2
2	Bolt_DIN7380	M8x55 B	1
3	Bolt_DIN912	M5x20	1
4	Bolt_DIN912	M6x16	4
5	Bolt_DIN912	M6x25	2
6	Bolt_DIN912	M6x30	1
7	CSC_RSC damper	S075	1
8	MP-DB018235	-	1
9	MP-ELEC01	-	1
10	MP-FOMK73	-	1
11	MP-TAMK63-1	-	1
12	MP-TAMK63-2 assy	-	1
13	MP-TAMK63-3 & -4	-	1
14	Nut_DIN985	M6	3
15	O-ring	10.3x2.4	2
16	Washer	M6_12_h1.6	2
17	Washer	M8_16_h1.6	3

Step 3



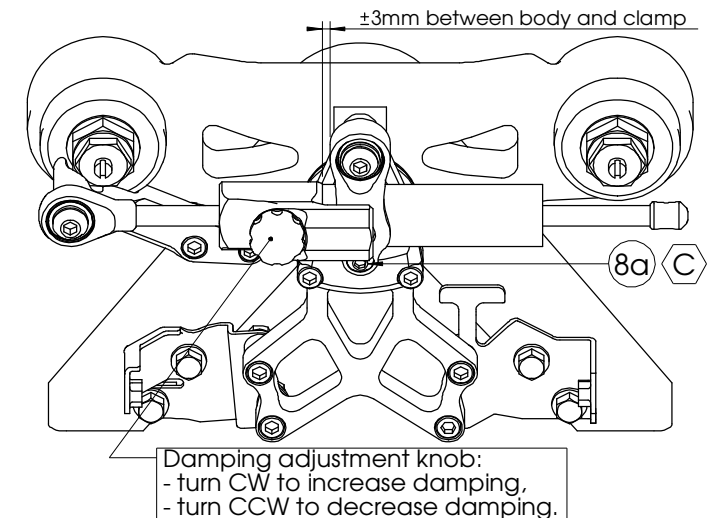
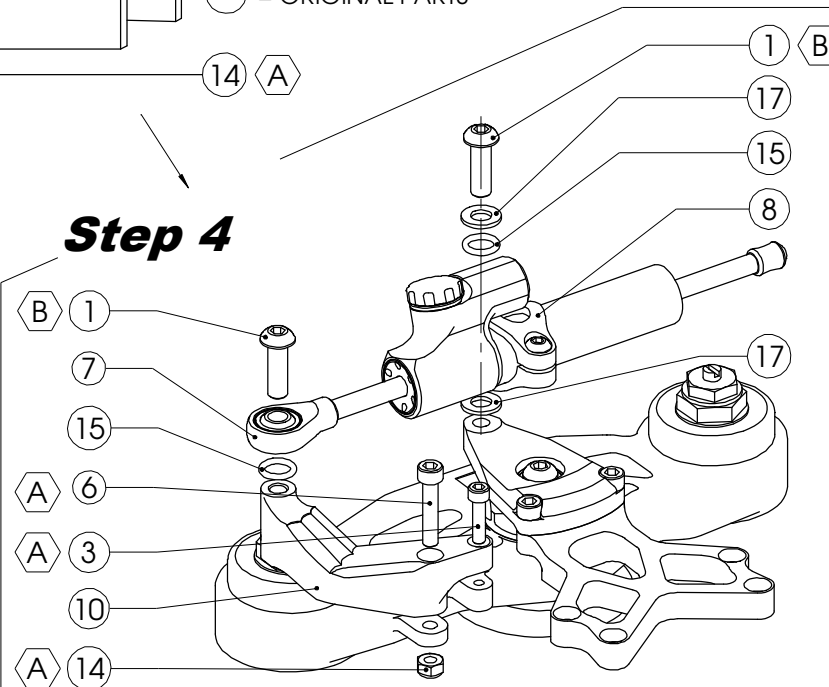
* = ORIGINAL PARTS

Step 2 INSTALL HYPERPRO ELECTRICAL RESISTOR !



Step 1 REMOVE THE ORIGINAL STEERING DAMPER (first remove the seat and tank cover)

Step 4



Re-install the tank cover and seat

* TORQUES	
A: 5-9Nm / 44-80Lbs.In / 4.0-6.4Lbs.Ft	D: 8Nm / 70Lbs.In / 5.9Lbs.Ft
B: 14-17Nm / 124-150Lbs.In / 10.3-12.5Lbs.Ft	E: 55Nm / 486Lbs.In / 40Lbs.Ft
C: 6Nm / 53Lbs.In / 4.4Lbs.Ft	F: Factory torque (see owners manual)

HYPERPRO

STEERING DAMPER MOUNTING KIT

for

HONDA CBR 1000 RR Model 2008>

MK-HO10-T006 INSTALLATION INSTRUCTIONS

In general:

HYPERPRO can not be held responsible in any way for any form of physical, material, financial or other damage arising from use, assembly or overhaul of HYPERPRO products. HYPERPRO reserves the right to make changes without prior notice.

This product is ONLY TO BE INSTALLED BY A PROFESSIONAL MECHANIC.

This product is only to be used for the motorcycle brand, model and year stated specifically on top of the pages of this manual.

DO NOT attempt to install this product on motorcycles from any different brand, model and/or year than stated on the pages of this manual.

DO NOT use this kit for cars, boats, jet-skies, snowmobiles, ATV's, aircraft, hovercrafts or any other vehicle and/or purpose.

HYPERPRO steering dampers are FOR RACE USE ONLY, NOT FOR HIGHWAY USE!

Before installation:

- Please read the entire manual carefully before starting the installation!
- Check if you have all the tools required. Good tools are a must.
- Protect your bike at the most important places in and around the work area (e.g. tank, fairing, frame, etc.), with a blanket, towel or similar.

During installation:

- Check all operations and parts carefully before, during and after performing each step.
- Clean all surfaces that are required for fitting parts together or for applying self adhesives or loctite, thoroughly with contact cleaner or another degreaser, unless otherwise stated.
- Be careful not to damage or scratch any part of your bike.
- ALWAYS work relaxed and concentrated!! It is very easy to damage something or make a mistake.

After installation:

- Check and make sure that there is no contact between any part of the steering damper kit and any part of the motorcycle. The kit should not hit anything. Steering movement should not be limited by the steering damper. If the steering movement is limited, adjust the position of the tube in the clamp until steering movement is normal again. Do not forget to tighten the clamp bolt again!
- ALWAYS check the steering movement and feeling before each ride !
- FIRST RIDES: Start with the damper turned fully open (turn adjuster knob fully counter clockwise). Start adjusting in between rides with steps of MAX. 2 CLICKS (0.25 TURN) EACH TIME, until the damper is working satisfactory for your riding style.
- NEVER USE MAXIMUM SETTING, ALWAYS OPEN AT LEAST 2 CLICKS (0.25 TURN).
- WARNING ! DAMPER HAS AN ACTIVE / SPEEDSENSITIVE DAMPING SYSTEM;
 - Steering with NORMAL MOVEMENT should be FREE !!
 - Steering with FAST MOVEMENT should be CONTROLLED BY DAMPER !!
- HYPERPRO uses a special seal to reduce friction. The seal uses an oil film to work properly. It is normal that some oil can appear on the pistonrod.
- Damper works with oil: DAMPING CAN BE HARDER AT LOWER TEMPERATURES!

Step 1: remove the original steering damper

Remove the seat and the tank cover to fully expose the original steering damper. Remove the original steering damper and all of its components.

Step 2: install Hyperpro electrical resistor

Install the Hyperpro connector (9) to replace the original steering damper. It will prevent the HESD warning light to go on.

Step 3: tank bracket assembly

assemble the tank bracket using:

- Tank bracket parts 1, 2, 3 & 4 (pos 11, 12, 13)
- Bolt M8x55 Button head (2)
- 4x Bolt M6x16 (4)
- 2x Bolt M6x25 (5)
- 2x Lock nut M6 (14)
- 2x Washer M6 ϕ 12 (16)
- 1x Washer M8 ϕ 16 (17)

Mount tank bracket part 1 (11) to the original steering damper mounting plates. On the left side, use the original spacers and the supplied M6x25 bolts (5), M6 ϕ 12 washers (16) and M6 lock nuts (14). On the right side, use 2x the supplied M6x16 bolts (4). Tighten the bolts and nuts with a torque of approx. 5-9Nm/44-80Lbs.In/4.0-6.4Lbs.Ft.

Use the original bolts to mount the mounting plates to the frame and tighten the bolts with a torque of approx. 5-9Nm/44-80Lbs.In/4.0-6.4Lbs.Ft.

Pre-assemble tank bracket part 2 (12) as shown on page 1: use the M8x55 bolt (2) to fit the M8 washer (17) and bracket parts 3 & 4 (13). Do not tighten the bolt yet!

Slide parts 3 & 4 (13) into the steering head of the bike, until tank bracket part 2 (12) can be fitted to part 1 (11) using 2x the supplied M6x16 bolts (4). Tighten the M6 bolts with a torque of approx. 5-9Nm/44-80Lbs.In/4.0-6.4Lbs.Ft. Make sure that the tank bracket does not directly touch the steering head (keep \pm 0.5mm in between) and tighten the M8 bolt (2) with a torque of approx. 5-9Nm/44-80Lbs.In/4.0-6.4Lbs.Ft. Make sure that the handlebars can move freely from left to right!

Step 4: installing the fork bracket and damper

Install the fork bracket and damper using:

- Steering damper, stroke 75 (7)
- Damper clamp (8)
- Fork bracket (10)
- 2x Bolt M8x25 button head (1)
- Bolt M5x20 (3)
- Bolt M6x30 (6)
- 1x Lock nut M6 (14)
- 2x O-ring (15)
- 1x Washer M6 ϕ 12 (16)
- 2x Washer M8 ϕ 16 (17)

Install the fork bracket (10) to the top triple tree using the supplied, M5x20 bolt (3), M6x30 bolt (6), and M6 lock nut (14). Tighten the bolts and nut with a torque of 5-9Nm/44-80Lbs.In/4.0-6.4Lbs.Ft.

Install the damper clamp (8) to the tank bracket (12) using a supplied M8x25 bolt (1), O-ring (15) and 2x M8 washer (17). Tighten the bolt with a torque of approx. 14-17Nm/124-150Lbs.In/10.3-12.5Lbs.Ft. Ensure that the clamp bolt (1a) of the damper clamp is pointing backward. Shove the damper (7), with the knob-end first, through the clamp until the ball-joint can be fitted to the fork bracket (10). Use the washer (17), O-ring (15) and an M8x25 bolt (1) to mount the ball-joint to the fork bracket and tighten with a torque of approx. 14-17Nm/124-150Lbs.In/10.3-12.5Lbs.Ft.

Position the damper tube so there is \pm 3mm between the clamp and the damper body, then tighten the M6 clamp bolt (8a) with a torque of approx. 6Nm/53Lbs.In/4.4Lbs.Ft. Check if the damper is level horizontally and aligned to the bike. Check if the damper does not touch anything (e.g. tank) when steering from left to right. Check if the bike can make its full steering angle from left to right.

Re-install all the body parts and seat